

HIGH-PERFORMANCE BUTTERFLY VALVE HP 111-E



Wafer type butterfly valve in double-eccentric construction. Reliable sealing even with extreme temperature and pressure conditions.

TECHNICAL DATA

Nominal diameter:	DN 50 – DN 200 larger nominal diameter on request
Face-to-face:	EN 558 Series 20 (DIN 3202 T3 K1) ISO 5752 Series 20 (DIN 3202 T3 K1) API 609 Table 1 BS 5155 Series 4 NF E 29-305.1
Flange accommodation:	DIN 2501 PN 10/16 DIN 2632/33 ANSI B 16.5, Class 150 AWWA C 207 AS 2129 Table D and E BS 10 Table D and E JIS B 2211-5 K JIS 2212-10 K
Flange Surface Design:	DIN 2526, Form A-E, ANSI RF
Top flange:	EN ISO 5211 NF E 29-402
Marking:	DIN EN 19
Tightness check:	
- for R-PTFE Sitz:	DIN 3230-BO (Leakage Rate 1)
- for Inconel Sitz:	DIN 3230-BN (Leakage Rate 1) ISO 5208, Category 3 API 598 Table 5 ANSI B 16-104, Class VI
Temperature range:	-196 °C to + 550 °C higher temperatures on request
Differential pressure:	see Pressure/Temp. Diagram
Vacuum:	>10 ⁻² mbar

FEATURES

- Shut-off and control of gaseous and liquid media
- Disc and shaft have double-eccentric bearing
- Centering pieces can be used as installation aid
- Two seat ring systems available: R-PTFE and Inconel-FS
- Seal variants:
 - soft-sealing (R-PTFE) 230 °C max.
 - metallic sealing (Inconel) 550 °C max.
- Maintenance-free
- Long service life, even at high switching frequencies
- FIRE SAFE BS 6755 PART 2

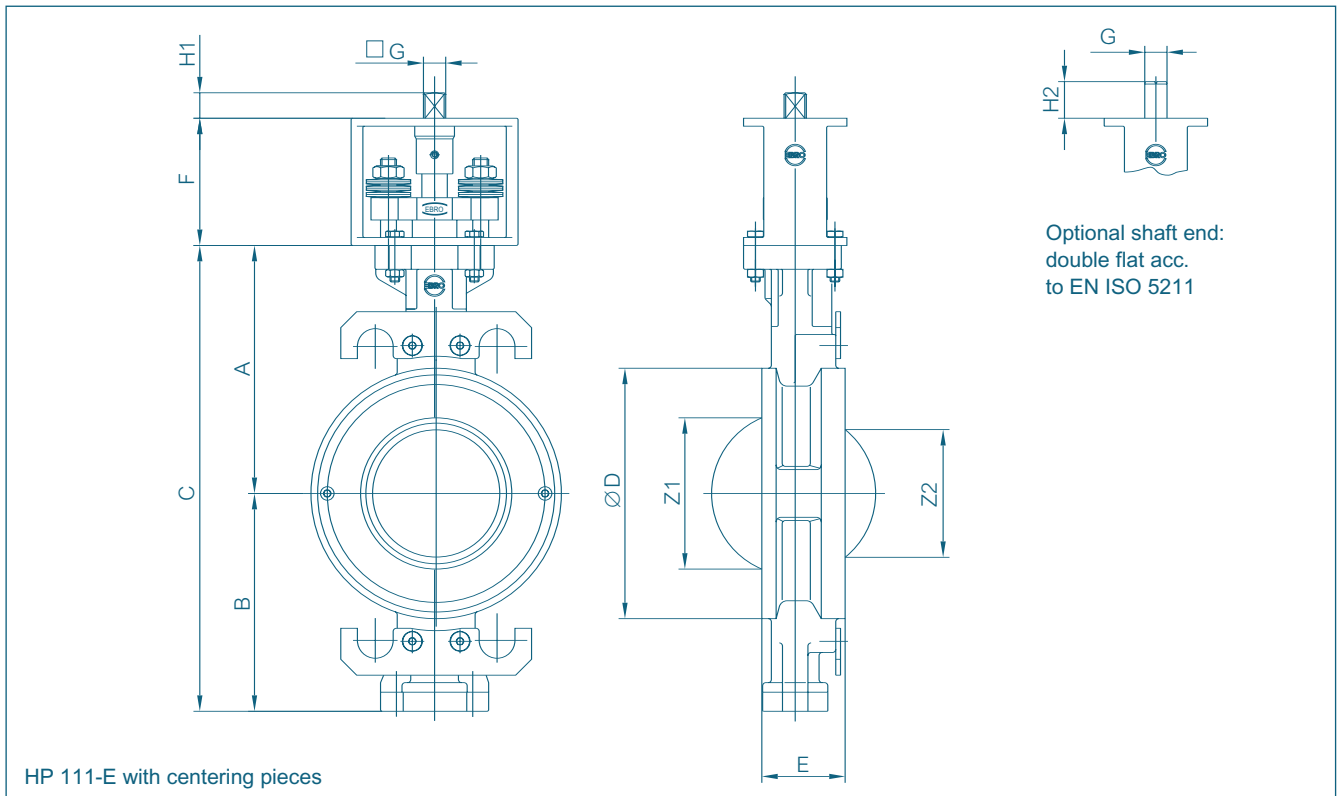
GENERAL APPLICATIONS

- Chemical and petrochemical industries
- Hot water and steam systems
- District heat supply
- Vacuum systems
- Shipbuilding
- Gas process technology
- Food industries
- Heavy duty services



The splitted shaft design allows better flow characteristics up to a nominal pressure of 19 bar.

HIGH-PERFORMANCE BUTTERFLY VALVE HP 111-E



DN [mm]	Size [in]	Dimensions [mm]													min. Pipe-Ø	Weight [kg]
		A	B	C	D	E	F	Flange	□G	H1	G	H2	Z1	Z2		
50	2	131	112	243	122	43	80	F05	12	15	14	23	41	-	51	5,8
65	2½	131	112	243	122	43	80	F05	12	15	14	23	41	-	51	5,8
80	3	141	122	263	138	46	80	F05	12	15	14	23	71	55	80	5,9
100	4	156	137	293	158	52	80	F05	12	15	14	23	95	82	103	7,4
125	5	180	172	352	186	56	80	F07	14	18	17	28	115	106	124	11,3
150	6	194	186	380	216	56	80	F07	14	18	17	28	144	136	151	13,8
200	8	219	212	431	270	60	80	F10	17	18	22	37	188	182	196	24,6

Subject to change without notice.

ACTUATORS HP 111-E

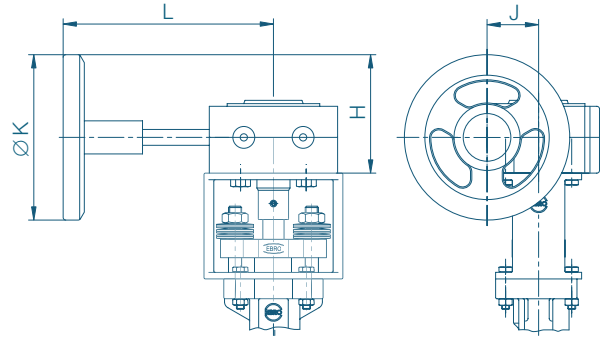
WORM GEAR FOR PTFE-SEAT

DN [mm]	Size [in]	Gear	H	J	K	L	Weight [kg]
50-125	2-5	Size II	89	39	125	159	1,4
150	6	Size III	129	47	200	202	2,3
200	8	Size IV	129	60	200	252	2,8

FOR INCONEL-SEAT

DN [mm]	Size [in]	Gear	H	J	K	L	Weight [kg]
50-100	2-4	Size II	89	39	125	159	1,4
125-150	5-6	Size III	129	47	200	202	2,3
200	8	Size IV	158	76	250	280	6,3

The dimensioning of actuators refers to an operating pressure of 10 bar.



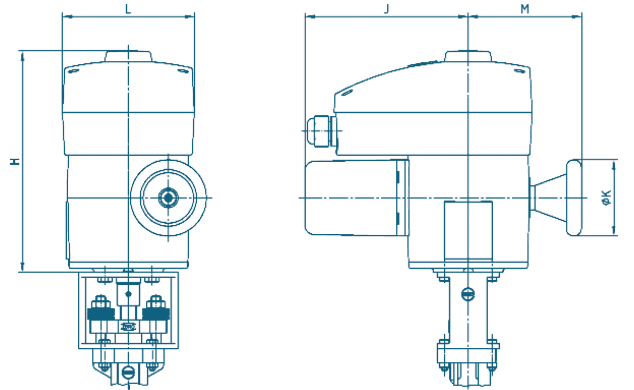
ELECTRIC ACTUATOR FOR PTFE-SEAT

DN [mm]	Size [in]	Actuator Type	H	J	K	L	M	Weight [kg]
50-125	2-5	E 65	233	172	80	139	119	7,0
150-200	6-8	E 110	251	245	125	139	134	14,0

FOR INCONEL-SEAT

DN [mm]	Size [in]	Actuator Type	H	J	K	L	M	Weight [kg]
50-100	2-4	E 65	233	172	80	139	119	7,0
125-200	5-8	E 110	251	245	125	139	134	14,0

The dimensioning of actuators refers to an operating pressure of 10 bar.



Subject to change without notice.

ACTUATORS HP 111-E

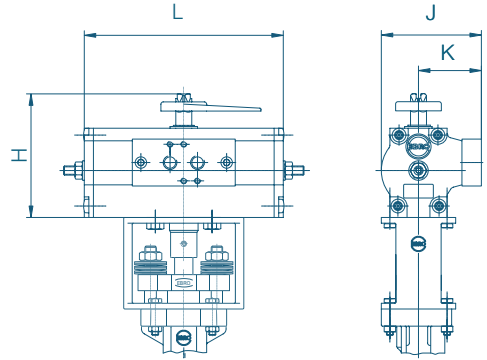
PNEUMATIC DOUBLE ACTING FOR PTFE-SEAT

DN [mm]	Size [in]	Actuator Type	H	J	K	L	Weight [kg]
50-100	2-4	EB 5	108	88	55	174	1,7
125-150	5-6	EB 6	123	103	62	208	2,6
200	8	EB 8	136	115	68	250	4,3

FOR INCONEL-SEAT

DN [mm]	Size [in]	Actuator Type	H	J	K	L	Weight [kg]
50-80	2-3	EB 6	108	88	55	174	1,7
100	4	EB 6	123	103	62	208	2,6
125-150	5-6	EB 8	136	115	68	250	4,3
200	8	EB 10	155	135	79	312	6,8

The dimensioning of actuators refers to an operating pressure of 10 bar and a control air pressure of 6 bar.



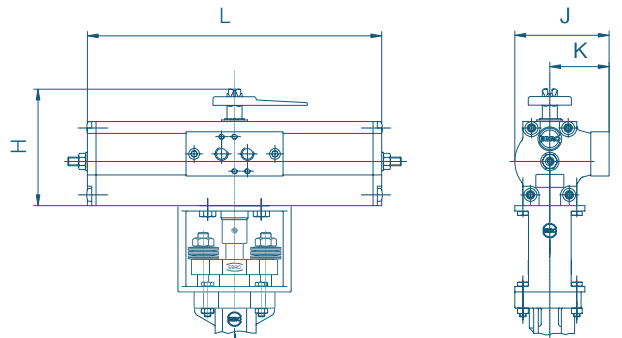
PNEUMATIC SPRING RETURN FOR PTFE-SEAT

DN [mm]	Size [in]	EBF Actuator	H	J	K	L	Weight [kg]
50-80	2-3	EB 5	108	88	55	273	3,0
100	4	EB 6	123	103	62	326	5,0
125	5	EB 8	136	115	68	389	7,7
150	6	EB 10	155	135	79	526	14,3
200	8	EB 12	182	159	94	656	25,4

FOR INCONEL-SEAT

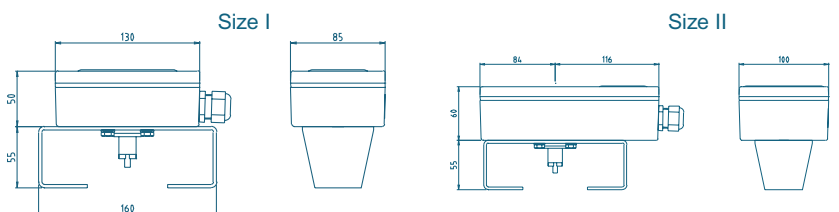
DN [mm]	Size [in]	EBF Actuator	H	J	K	L	Weight [kg]
50-80	2-3	EB 8	123	103	62	326	5,0
100	4	EB 8	136	115	68	389	7,7
125-150	5-6	EB 10	155	135	79	526	14,3
200	8	EB 12	182	159	94	656	25,4

The dimensioning of actuators refers to an operating pressure of 10 bar and a control air pressure of 6 bar.



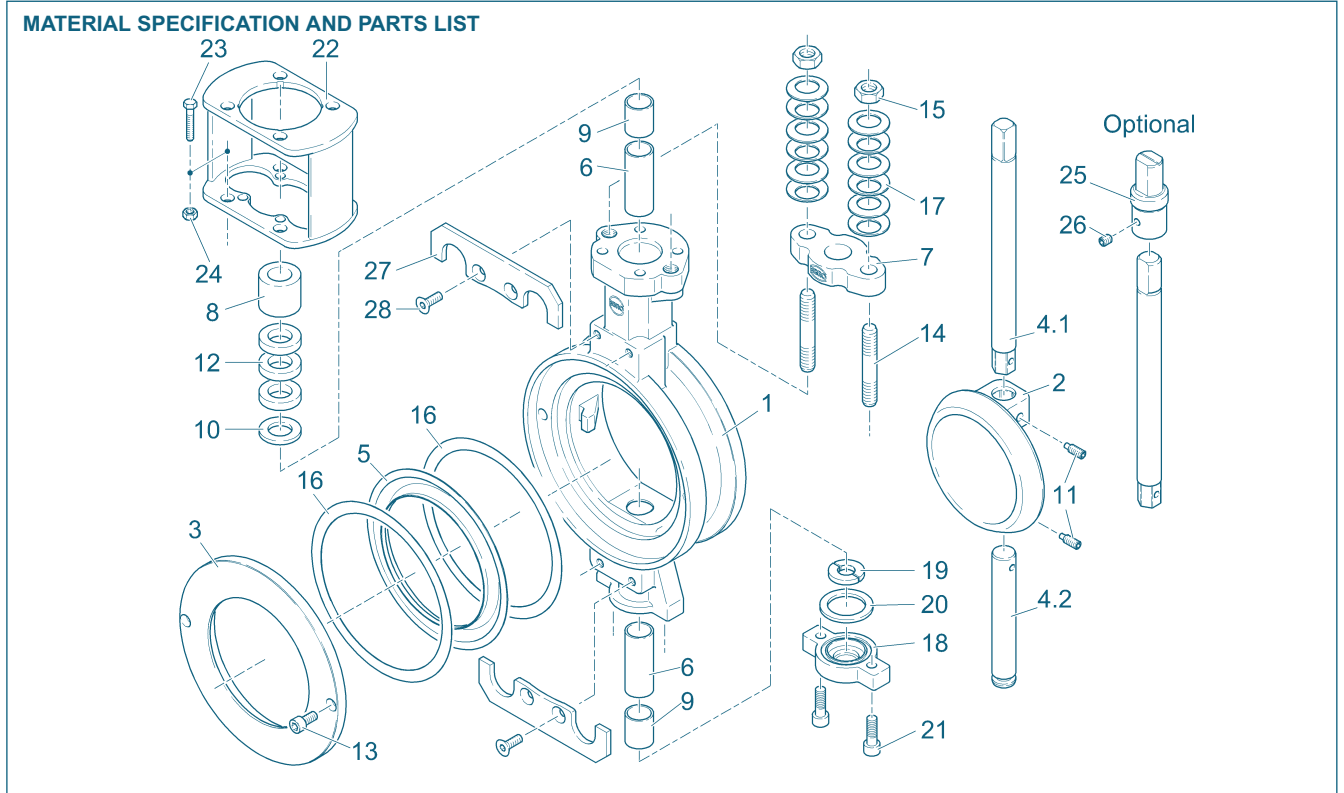
SWITCH BOX SERIES MSK/NSK

MSK:
Switch Box with integrated micro limit switches.
NSK:
Switch Box with integrated proximity switches.



Subject to change without notice.

HIGH-PERFORMANCE BUTTERFLY VALVE HP 111-E



Pt.	Description	Material	Material-No.	ASTM	Pt.	Description	Material	Material-No.	ASTM
1	Body				14	Threaded pin			
	Carbon Steel	GP240GH(GS-C25N)	1.0619	WCB		Stainless Steel	A2-70	1.4301	B8
	Stainless Steel	G-X5CrNiMo19-11	1.4408	CF8M	15	Hex. nut			
2	Disc					Stainless Steel	A2	1.4301	8
	Stainless Steel	G-X5CrNiMo19-11	1.4408	CF8M	16	Graphit seal (for metal seat)			
3	Clamping ring					Graphite			
	Steel	S23JR (RSt37-2)	1.0038	283-C	17	Belleville spr. washer			
	Stainless Steel	X5CrNiMo17-12-2	1.4401	316		Spring Steel	50CrV4	1.8159	6150
4.1	Upper Shaft					Stainless Steel	X10CrNi18-8	1.4310	301 Ti
	Stainless Steel	X4CrNiMo16-5-1	1.4418		18	Cover plate			
	Stainless Steel	X5CrNiCuNb16-4	1.4542			Stainless Steel	GX5CrNiMo19-11	1.4408	
4.2	Lower Shaft				19	Segmente			
	Stainless Steel	X4CrNiMo16-5-1	1.4418			Stainless Steel	X6CrNiMoTi17-12-2	1.4571	nitrite
5	Seat ring				20	Seal			
	R-PTFE	PTFE-Compound				Graphite			
	Inconel	Inconel 625				PTFE			
6	Shaft bearing					NBR			
	Stainless Steel	X6CrNiMoTi17-12-2	1.4571	nitrite	316 Ti	FPM			
	Stainless Steel	X5CrNiMo17-12-2	1.4401/PTFE	316	21	Hex.-socket screw			
7	Gland flange					Stainless Steel	A4-70		
	Stainless Steel	G-X5CrNiMo19-11	1.4408	CF8M	22	Bracket			
8	Thrust collar					Stainless Steel	GX5CrNiMo19-11	1.4408	
	Stainless Steel	X5CrNi18-10	1.4301	304	23	Hex. bolt			
9	Spacer sleeve					Stainless Steel	A2-70		
	Stainless Steel	X6CrNiMoTi17-12-2	1.4571	316 Ti	24	Hex. nut			
10	Suppor. washer					Stainless Steel	A2		
	Stainless Steel	X6CrNiMoTi17-12-2	1.4571	316 Ti	25	Shaft adapter			
11	Set screw					Stainless Steel	GX2CrNiMoN26-7-4	1.4469	
	Stainless Steel	A4-70			26	Set screw			
12	Shaft seal					Stainless Steel	A2-70		
	Graphite				27	Centering piece			
	PTFE					Stainless Steel	X6CrNiMoTi17-12-2	1.4571	316 Ti
13	Hex.-socket screw				28	Countersunk screw			
	Stainless Steel	A4-70	1.4401	B8M		Stainless Steel	A2	1.4301	SS
									Other materials upon request.

Subject to change without notice.

HIGH-PERFORMANCE BUTTERFLY VALVE HP 111-E

TORQUE

- The values specified are based on the initial breakaway torque. (disc disengages from seat, torque than drops).

DN [mm]	Size [in]	Operating Pressure			
		10 [bar]		16 [bar]	
		R-PTFE	Inconel	R-PTFE	Inconel
50-65	2-2½	27	35	28	42
80	3	28	55	30	65
100	4	51	90	61	100
125	5	63	150	83	172
150	6	125	170	136	220
200	8	205	350	260	430

All Values in Nm

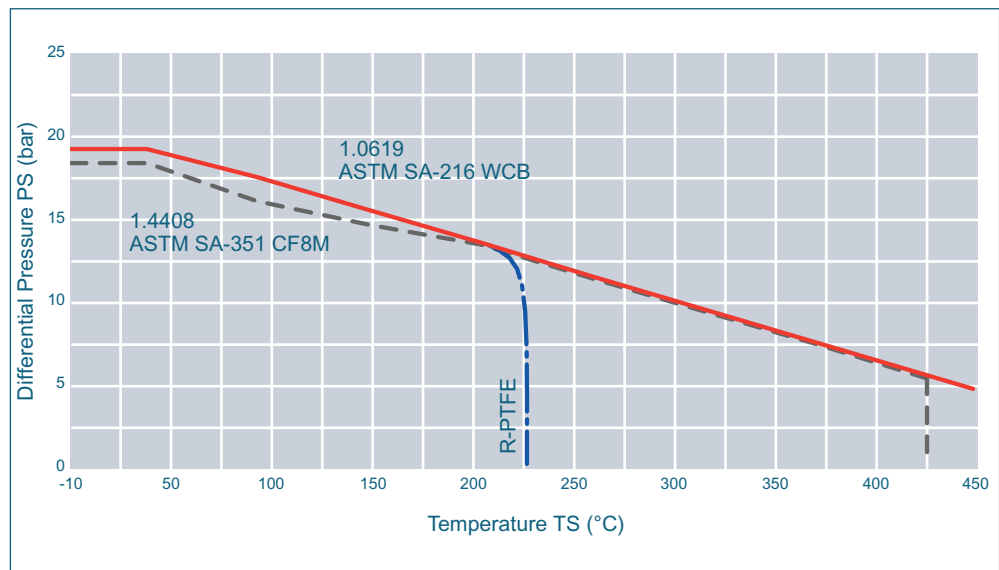
PRESSURE /TEMPERATURE DIAGRAM

----- Pressure control line for GS-C25 body material and metal seat

— Pressure control line for 1.4408 body material and metal seat

- - - - - Pressure control line for R-PTFE-seat

The diagram illustrates the performance of the standard version of our valve type HP. Valves for higher pressure or deviating temperature are available upon request.



K_v-VALUES

- The K_v-value (m³ per hour) is the flow of water at a temperature of 5 °C to 30 °C (41 °F to 86 °F) Δp of 1 bar.

- The K_v-values specified are based on tests carried out by the Delft Hydraulics Laboratories, the Netherlands.

- Permissible velocity of flow V_{max} 4,5 m/s for liquids and V_{max} 70 m/s for gases.

For further values, please contact our engineers.

DN [mm]	Size [in]	Opening angle α							
		20°	30°	40°	50°	60°	70°	80°	90°
50	2	3	13	28	39	49	58	69	81
65	2½	3	13	29	41	52	61	72	84
80	3	19	40	63	96	135	189	242	287
100	4	33	65	89	125	180	259	365	450
125	5	53	105	169	245	342	509	645	728
150	6	82	161	252	385	575	817	1010	1123
200	8	105	184	331	559	816	1217	1795	1921

Subject to change without notice.