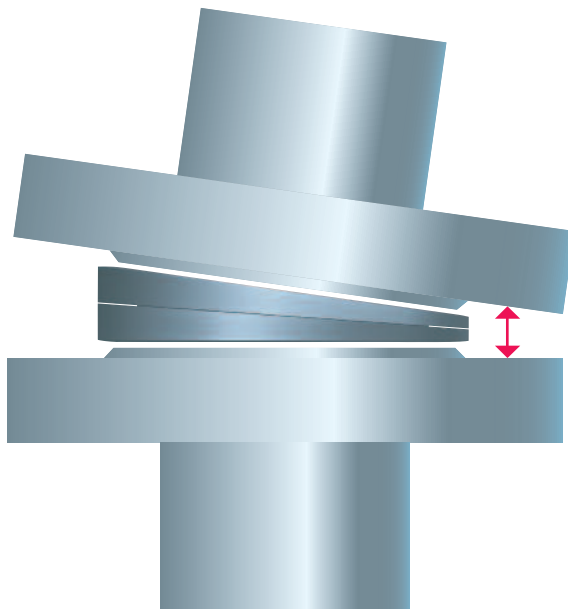
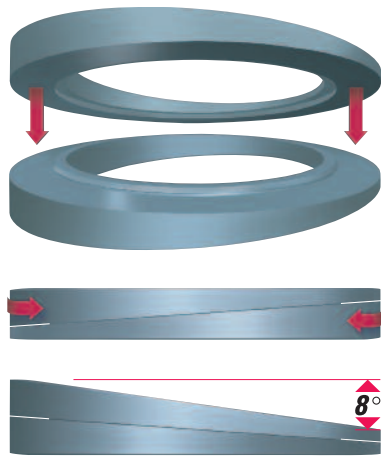
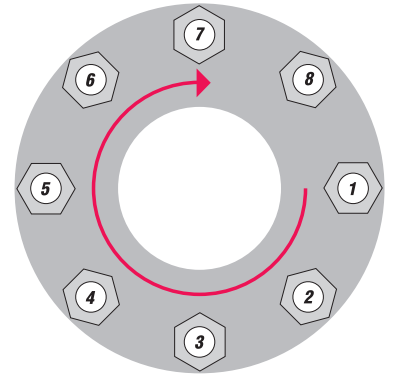


Monteringsanvisning for skjevring



By placing the bolts into the bolt holes of the flange, the gasket will be automatically centred.



The bolts at the lowest thickness of the KGS/VD are placed at first and fixed only by handforce.

When all bolts are placed, the tightening starts.

Also here the beginning is at the lowest thickness.

Tightening should be clockwise and not crosswise.

Usually after 3 circulations the gasket is correctly installed and in safe function.

***Too high torque at the bolts can damage the gasket.
Please consider torques for rubber gaskets according technical literature.***