

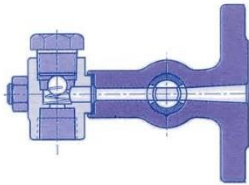
# VALVES & COCKS

# VALVES & COCKS

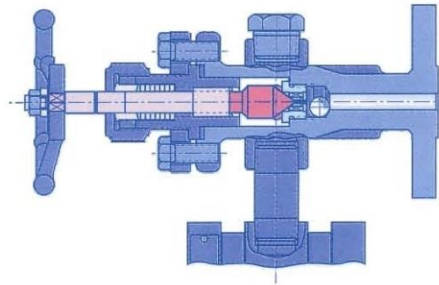


## PROCESS

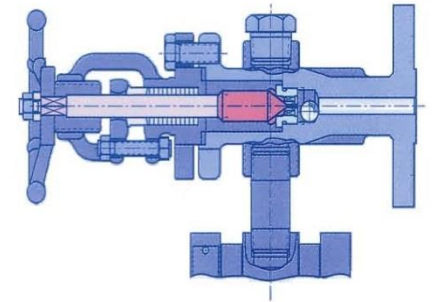
DG



RAV 946/947

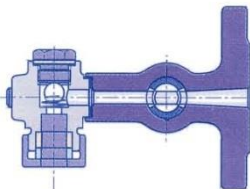


RAV 956/957

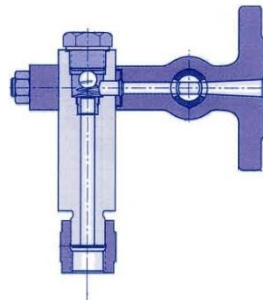


## VAPOR E

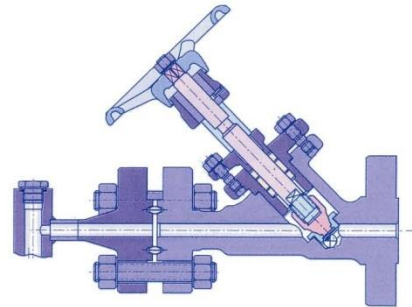
D



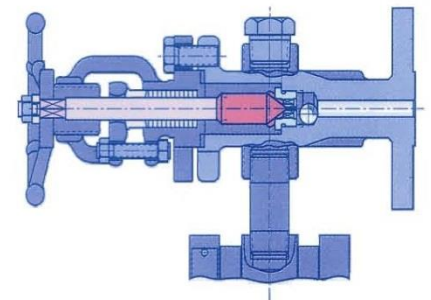
DA



DVK-2



RAV 957



# GAUGE COCK D

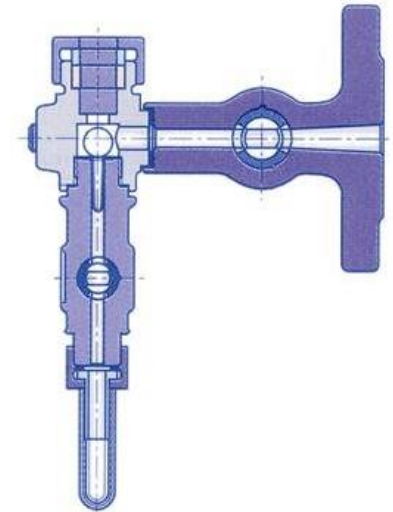
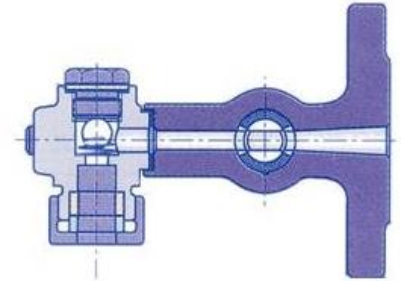
Steam Application PN 64 / ANSI 400



Graphite Sealing with  
Klinger soft packing Sleeve

Vessel Connection:  
flange or NPT

Connection to Gauge:  
- End tube 16 mm  
- ROTATABLE



# GAUGE COCK DG

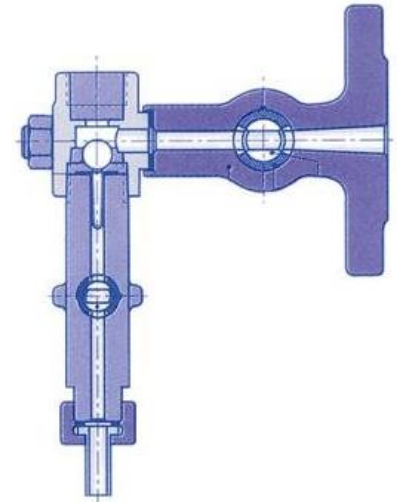
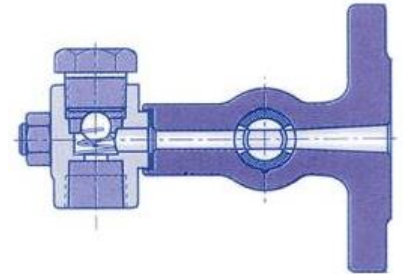
Process Application PN 160 / ANSI 900



Graphite Sealing with  
Klinger soft packing  
Sleeve

Vessel Connection: Flange  
or NPT

Connection to Gauge: - 1/2"  
NPT (3/4" Option) -  
NOT ROTATABLE



**GAUDE COCK RAV**  **RAV 946/7**  
**RAV9 56/7**

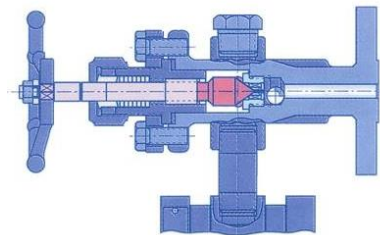


Process Application  
PN 250 / ANSI 1500

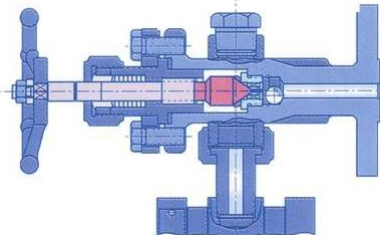
OFF-SET - Metal Seated Valve Safety Ball  
Vessel Connection: Flange or NPT  
Connection to Gauge 1/2" NPT (3/4" Option)



**Inside Screw**

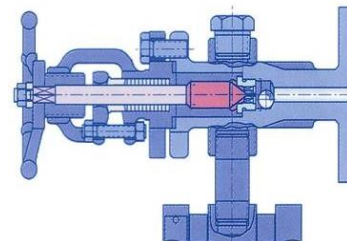


**RAV 946**

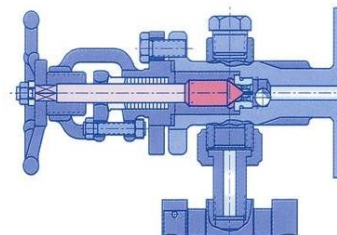


**RAV 947**

**Outside Screw**



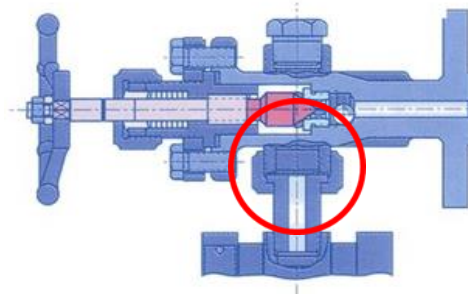
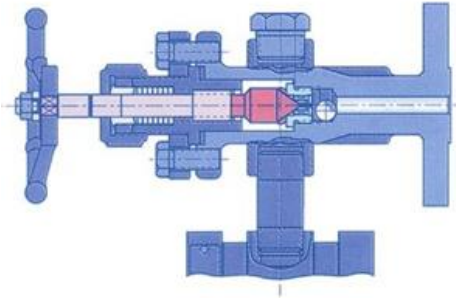
**RAV 956**



**RAV 957**

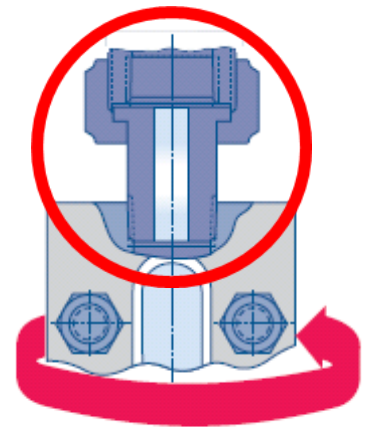
**RAV 946**

**RAV 947**



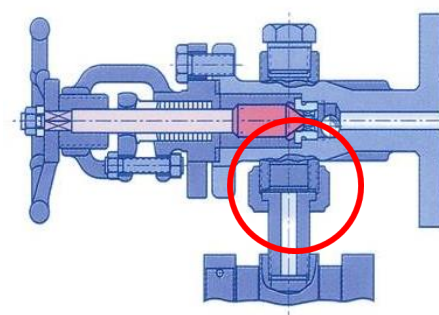
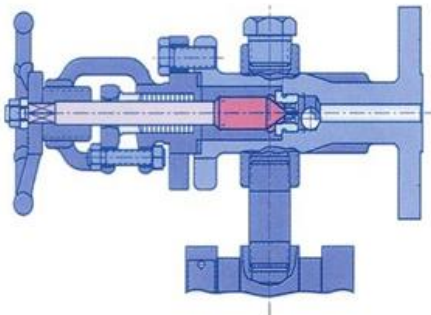
**RAV 9.....6**  
**Final Digit 6**  
**Plain Nipple to Gauge**  
**(NOT ROTATABLE)**

**RAV .....7**  
**Final Digit 7**  
**Union Nipple to Gauge**  
**(ROTATABLE)**



**RAV 956**

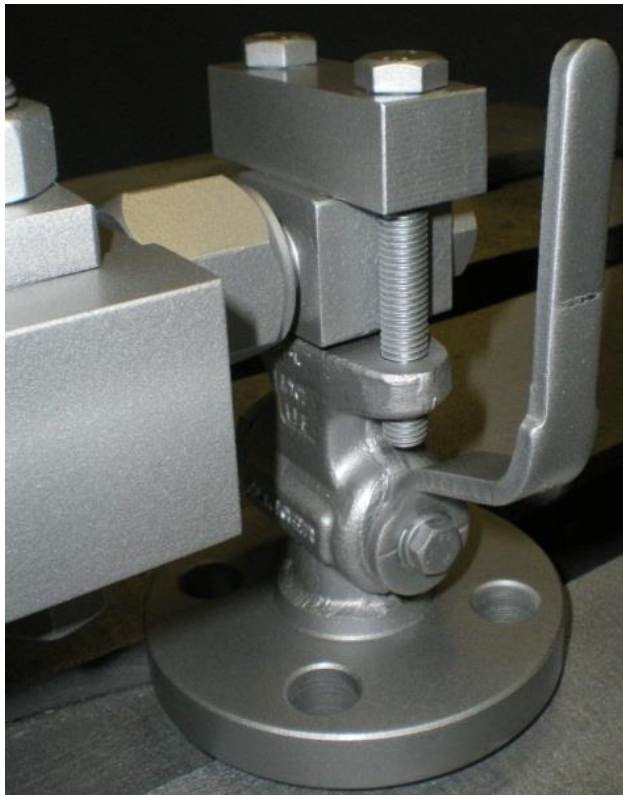
**RAV 957**



## GAUGE COCK DA

Steam Application PN 160 / ANSI 900

For high pressure steam service

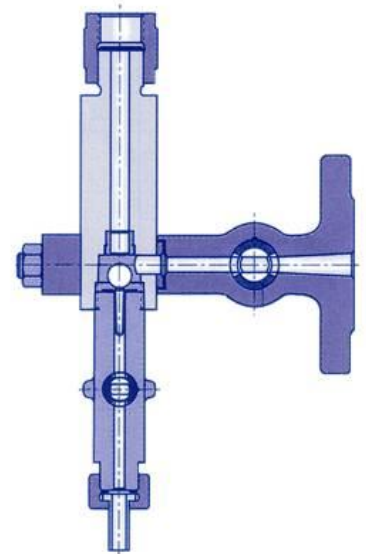
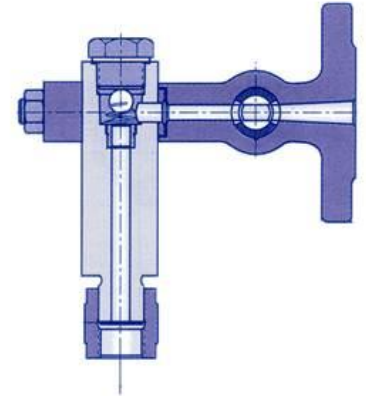


Graphite Sealing with  
Klinger soft packing Sleeve

Vessel Connection: Flange  
or NPT

Connection to Gauge:  
- 5/8" MALE (left thread)

- ROTATABLE



## DVK2

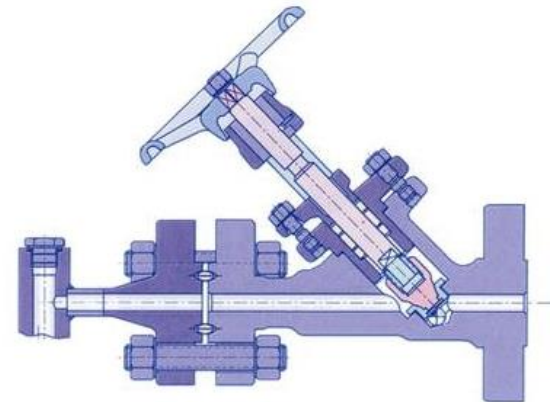
Steam Application PN 320 / 225 Bar

For high pressure steam service  
suitable for Bicolour KTA, KTA 225 and  
Transparent T85 and TA120.

Vessel Connection Flanged.

Special execution available

Always with the connecting piece





## AB 12 – 18 (L) COCKS

### Drain & Vent Valves

#### Soft Sealed Cock

- Klinger Packing Sleeve in Graphite (PTFE Option)
- PN 160 / ANSI 900
- Materials FS/H – M/H – M

Connection: 1/2" - AB12

Option 3/4" - AB18

Tail pipe for code "L"

