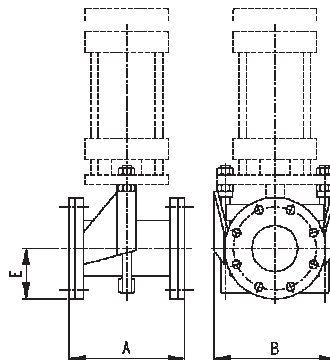
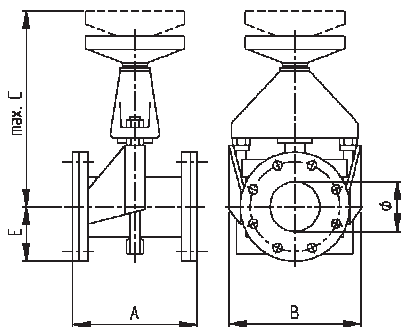
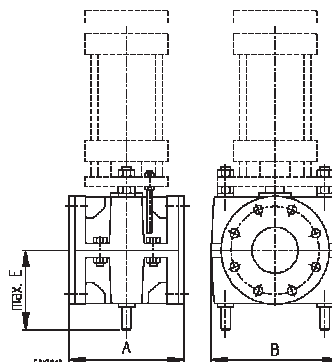
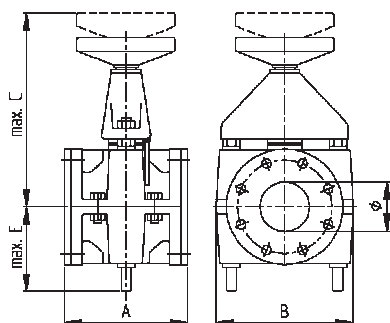


Flowrox pinch valve main dimensions

PV OPEN BODY VALVES



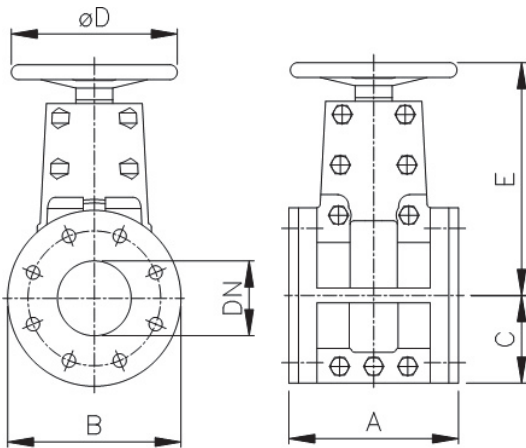
PVE ENCLOSED BODY VALVES



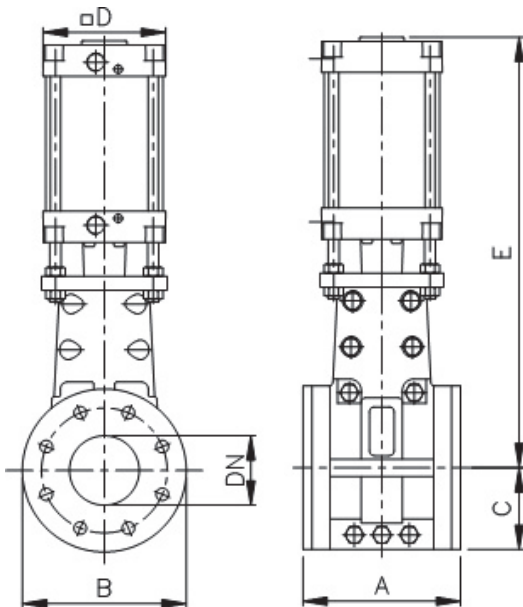
Size ϕ	PN (bar)	A	B	C	E	Manual valves		Automatic valves	
						WEIGHT FE (KG)	WEIGHT AL (KG)	WEIGHT FE (KG)*	WEIGHT AL (KG)*
PV 80	1-25	200	235	370	100	22	-	14	-
PV 100	1-25	250	265	410	110	29	-	16	-
PV 125	1-25	310	325	465	135	46	-	23	-
PV 150	1-16	375	381	560	143	67	-	36	-
PV 200	1-16	500	461	690	170	88	-	47	-
PV 250	1-10	625	545	865	210	137	-	85	-
PV 300	1-6	750	704	1020	250	167	-	100	-
PVE 25	1-25	165	125	255	87	11	7	8	4
PVE 32	1-25	165	140	260	90	14	9	10	5
PVE 40	1-25	165	180	265	105	16	9	12	6
PVE 50	1-25	165	190	280	120	18	9	13	7
PVE65	1-25	165	210	310	136	22	12	17	9
PVE80	1-25	200	245	370	155	36	17	27	13
PVE 100	1-25	250	278	410	175	46	25	33	17
PVE 125	1-25	310	340	465	210	74	41	48	25
PVE 150	1-16	375	400	560	240	106	74	75	43
PVE200	1-10	500	480	690	295	159	-	119	-
PVE 250	1-6	625	570	865	380	213	-	161	-
PVE 300	1	750	720	1020	445	279	-	212	-

* Weights are for body and sleeve without the actuator

PVEG VALVES



Valve size	50 mm	80 mm	100 mm	150mm
A	178	203	229	406
B	165	209	235	280
C	82,5	104,5	117,5	140
D	175	200	225	400
E	230	290	320	450
Weight KG	6	8	11	26
Maximum pressure BAR	10	10	10	10



Valve size	50 mm	80 mm	100 mm	150mm
A	178	203	229	406
B	165	209	235	280
C	82,5	104,5	117,5	140
D	116	136	176	270
E	435	545	630	840
Weight KG	11	18	27	74
Maximum pressure BAR	6	6	6	6

Dimensions subject to change without notice. Larger sizes and higher pressures are also available. Dimensional drawings for higher pressure ratings available upon request.

For larger sizes and more information please contact Flowrox.

FLOWROX OY

P.O. Box 338, FI-53101 Lappeenranta, Finland
 Tel. +358 201 113 311, Fax +358 201 113 300
 info@flowrox.com, www.flowrox.com

